

How to measure your seated height in a wheelchair or scooter:

With the user seated in their scooter or wheelchair, take a tape measurer from the top of their head straight down to the floor. This will be the seated height.

- Best Practices:
 - If the headrest sits taller than the users head, then take the measurement from the top of the headrest instead.
 - If the wheelchair has a power elevate feature, make sure it is as low as possible while still being comfortable for the user.

How to measure the width of a wheelchair:

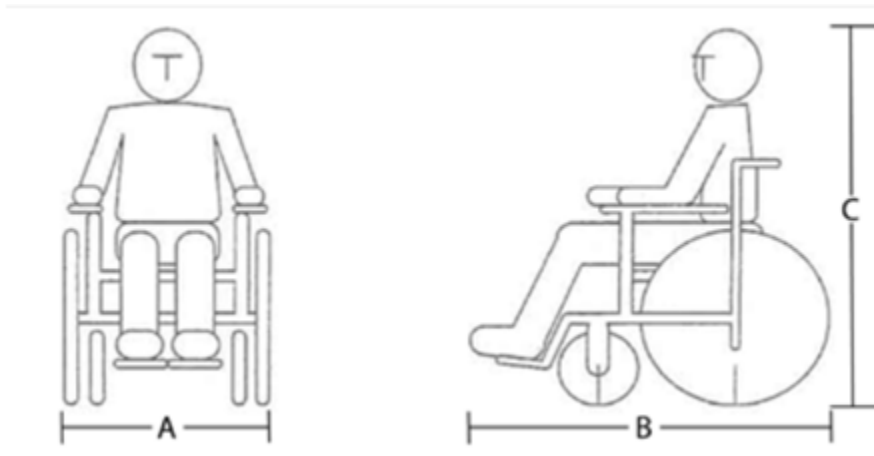
At the wheelbase, measure from the outside of the left tire to the outside of the right tire.

- Best Practices:
 - Also measure the width of the armrests if they stick out further than the wheelbase. This will be good information to have when speaking with a Product Specialist

How to measure the length of a wheelchair:

With the wheelchair at the most common position, measure from the furthest point of the wheelchair from the back to the front.

Below is a quick diagram to help with these measurements.



- (A) Width at wheelbase
- (B) Length
- (C) Seated height